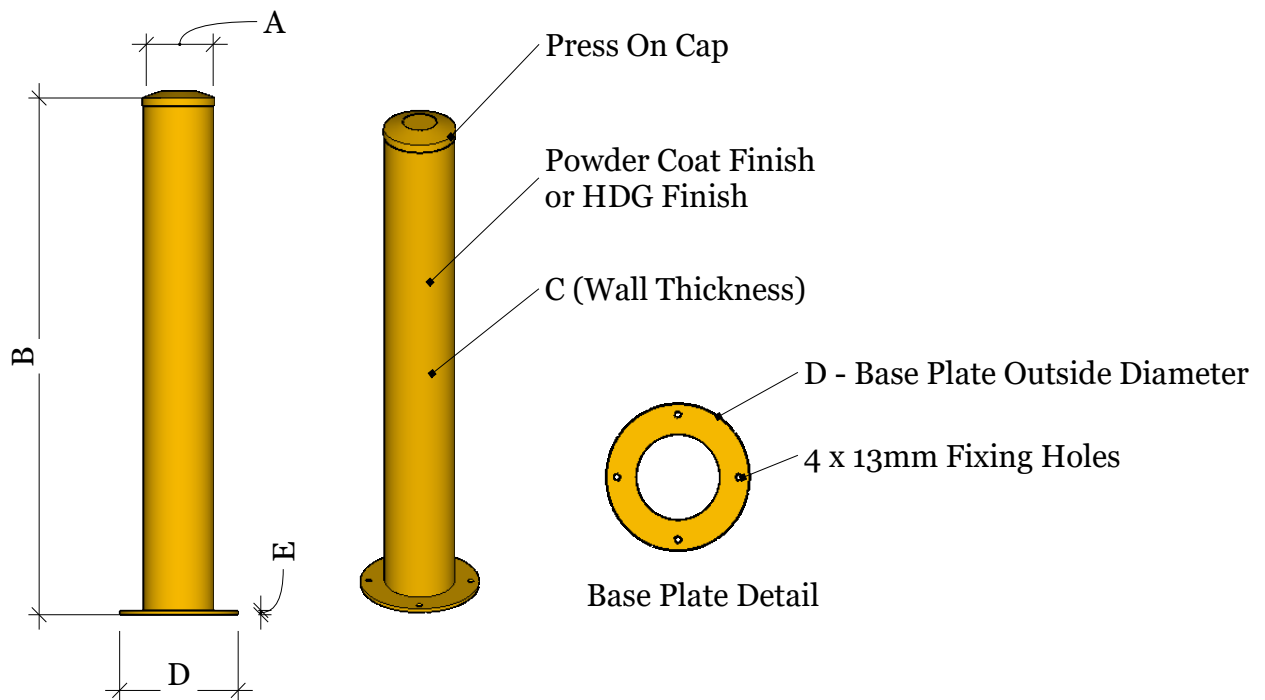




SURFACE MOUNT BOLLARD MFB-SM Range



MFB-SM Range Specifications

Product Code	A (mm)	B (mm)	C (mm)	D (mm)	E (mm)	FINISH
MFB-SM100PC	100	1200	4.0	200	10	POWDERCOAT
MFB-SM114PC	114	1200	4.5	215	10	POWDERCOAT
MFB-SM140PC	140	1200	5.0	240	10	POWDERCOAT
MFB-SM165PC	165	1200	5.0	265	10	POWDERCOAT

- Powder Coat – Y14 Safety/GOLDEN Yellow or Standard PC Range
- Custom Sizes Available – Price on Request